

Magnetostrictive Linear Position Sensors Model series CE4 with Analog - interface

Analog

- Optimal price-/performance ratio
- Stroke length up to 3000 mm
- Output signals : Current & Voltage
- Operating temperature up to +85 °C
- Flat & Compact application
- With axial connector M16 or cable outlet



Construction

The compact and flat aluminum profile offers flexible mounting options and easy installation. Moreover, the position magnet can travel along the entire flat housing profile. The CE4 has an attractive price-/performance ratio and is ideal for industrial applications including plastics molding and processing, factory automation and packaging.

Electrical data

- Analog current: 4 - 20 mA / 20 - 4 mA
- Analog voltage: 0 - 10V / 0-5V
- Resolution: 14 bits D/A (10 μm)
- Linearity: < ± 0.03 %
- Repeatability: < ± 0.005 %
- Update time: < 1 ms
- Supply voltage.: 24 VDC (-15/+20 %)
- Consumption: 80 mA max

Mechanical data

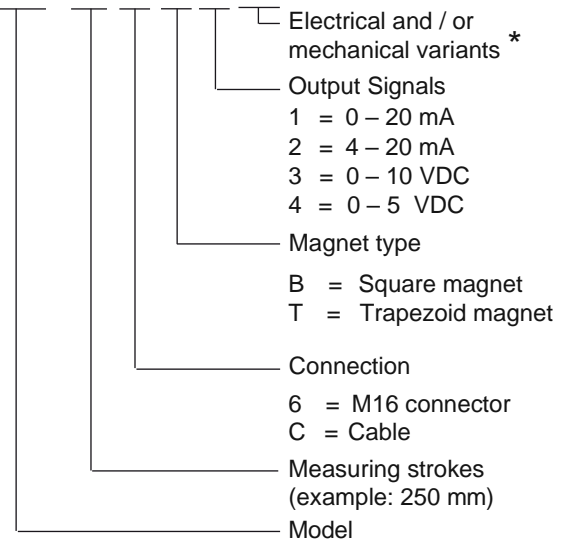
- Movement speed: Any
- Stroke length: 50 - 3000 mm
- Sensor lid: Zinc die-cast
- Sensor profile: Aluminum

Environmental data

- Operating temperature range: - 40 °C to + 85 °C
- Storage temperature: - 40 °C to + 95 °C
- Resistance to vibration: 10 g (10 to 2.000 Hz)
- Resistance to shock: 50 g (11ms)
- Protection type: IP 65
- Humidity: 90 % no condensation
- EMC test: EN 61000-6-3
EN 61000-6-2

Oder code format

CE4 / 250 6 B 2 01



* The basic versions in accordance with the data sheet bear the code number 01. Variations of the basic version are indicated by a consecutive number and are documented in our works.

Counter plugs

- CSTK4GS10: straight, plastic (STBG)
- CSTK4GS09: straight, metal (STBGM)
- CSTK4WS05: angled, plastic (STBW)
- CSTK4GS08: straight, plastic, 10 m cable (STK65)

To be ordered separately .

Electrical connections

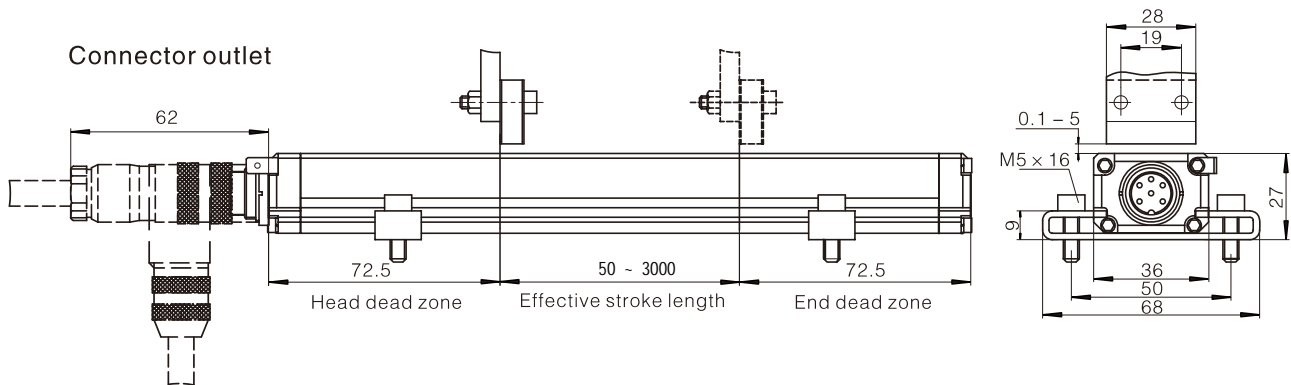


6-pin male connector
as viewed from the end of the sensor

Pin No.	Cable color	Function
1	Gray	Magnet position signal (+) 4~20mA, 20~4mA, 0~10V, 10~0V
2	Pink	Magnet position signal (-)
3	Yellow	Programming wire (+)
4	Green	Programming wire (-)
5	Brown	+24Vdc power supply (-20%~+20%)
6	White	0Vdc (power supply circuit)

* Shielded wire grounding.

Dimensions in mm



Measuring strokes and technical data

The measuring strokes are situated in the center of the mechanical strokes.